

Main Features:

- 1). Aluminum alloy case, Patent intergrated design
- 2). Special reflected lighting way to enlarge lighting area, no dazzling or blinking
- 3). Super bright 6 LEDs, 300Lumens brightness equal to 40W normal lamp
- 4). 3W solar panel and battery can be replaced
- 5). Night sensor+PIR motion sensor
- 6). Dim light and bright light switch to save power 30% over
- 7). Easy to install on wall or pole

Electrical Characteristics:

- 1). Flat compact Solar panel: 3W, 10years span life
- 2). High power Li-ion battery: 3.7V 4000mAh, can be replaced easily by users
- 3). LED source: 300Lumens super bright 6 big LEDs, 6000K~6500K, 50000Hrs span life
- 4). Solar charging time: 7~8Hrs by bright sunlight
- 5). Lighting time: 4Hrs bright light, 40Hrs dim light
- 6). Lighting mode: Off in daytime, Dim light in night time, Bright light by PIR motion sensor activated
- 7). Reflection ratio: >90%
- 8). Ray sensor: <10Lux
- 9). PIR sensor: 3~5m, 120°
- 10). Material: Aluminum alloy
- 11). Install height 3~4 meters
- 12). Waterproof IP65,
- 13). Size: 281*175*205mm

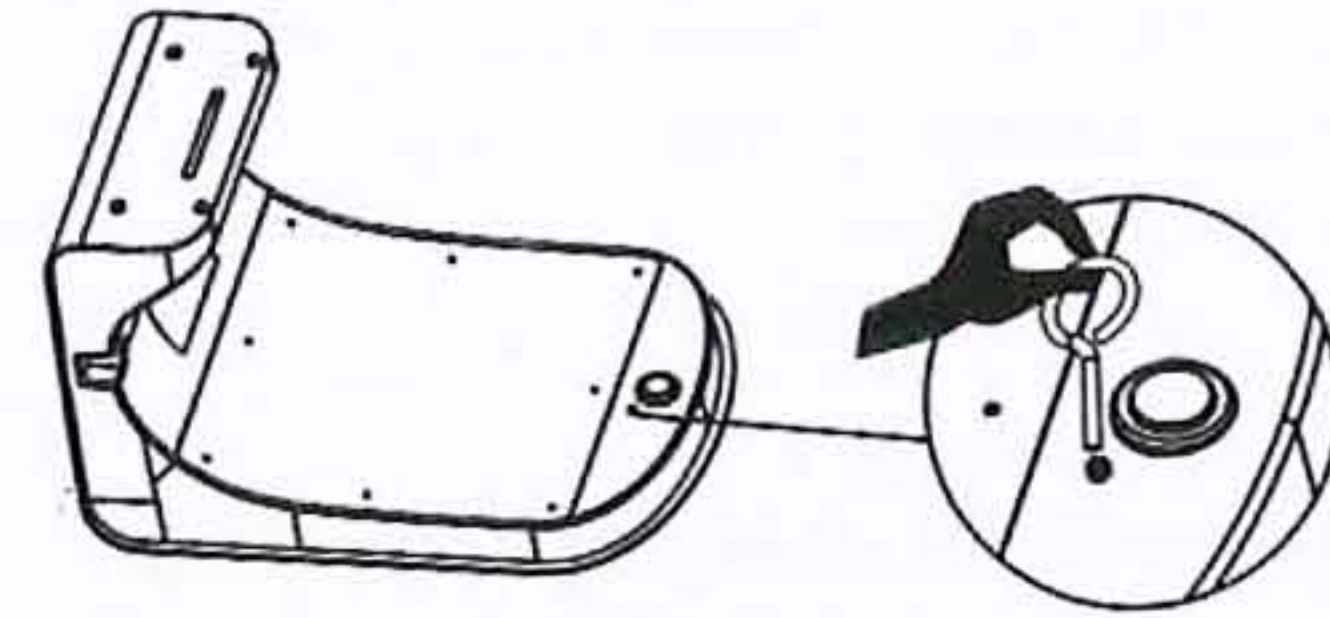
Application:

Many outdoor wall or pole in Plaza, Park, Garden, Courtyard, Street, Walkway, Pathway, Campus, Airfield, Farm, Perimeter Security etc...

Operation Instructions:

1. How to unlock the working system?

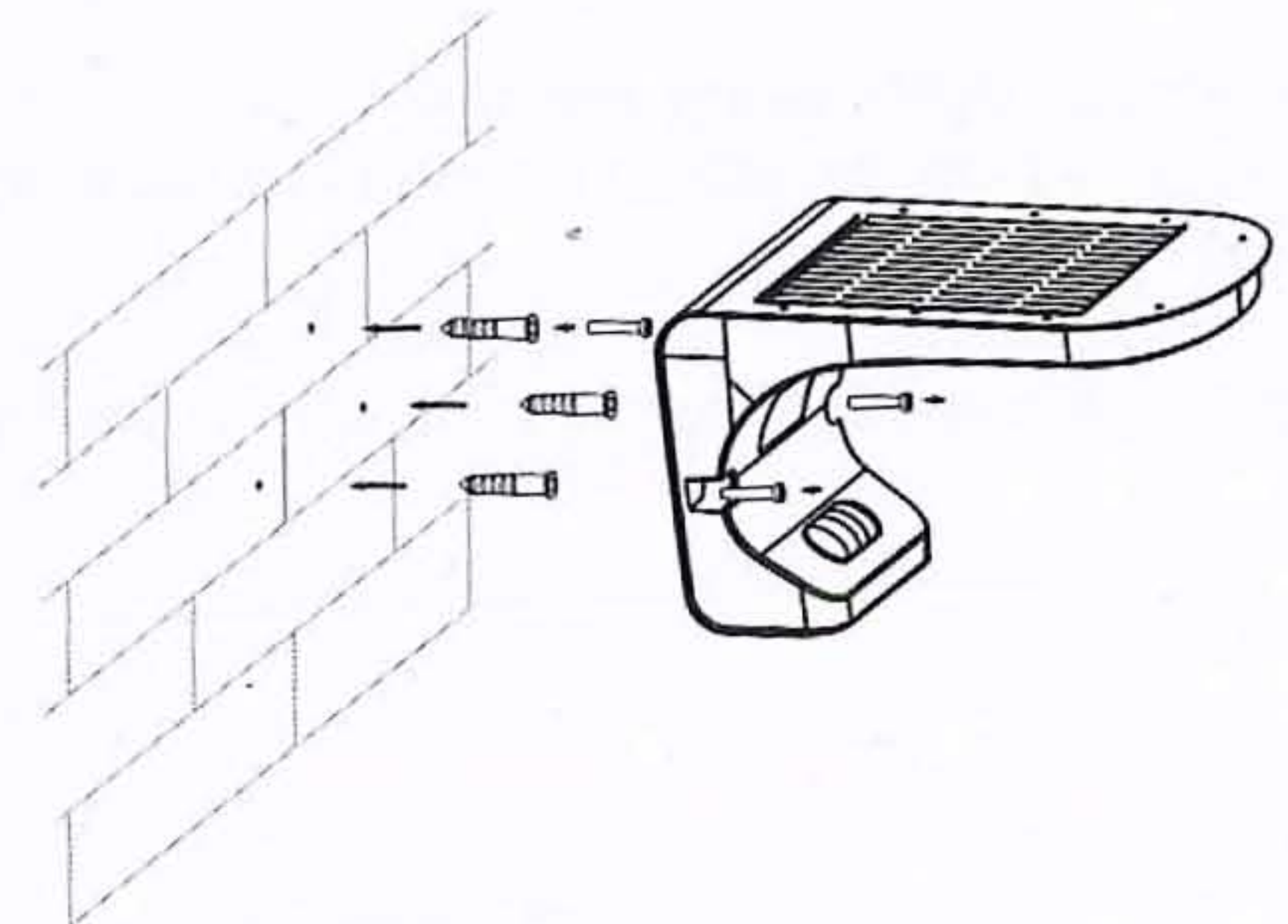
The internal battery is locked from factory for safety shipment, so users have to use supplied key pin to click the "on/off" socket and unlock the battery and lighting system.



Please use the supplied key pin to click the "on/off" socket to unlock the battery and active the working system.

2. How to install the device?

Please use the supplied Expansion pillar-hinge and screws to mount the device on pole or wall anywhere outside you want for lighting.



3.How it's charged by sunlight?

The light will switch off during sun charging in daytime, normally the light battery has 30%~50% power left factory, and it needs 7~8 hours sunlight to fully charged the battery.

Notice :

The charging time is under ideal bright sunlight charging condition at 1000W/m² illumination intensity, temperature >25°C, so the real charging time may according to the local sunlight power

4.How's the light working?

- 1).Light switch off for sun charging in daytime.
- 2).Auto turn on dim light at evening when ray<10lux
- 3).Night sensor function

It will auto turn on dim light when in darkness or at night, and auto turn off when in daytime or bright area.

4).Dim light mode

In order to save power, It will auto turn on dim light when no motion over there, but the dim brightness also can work as signal light.

5).Bright light mode

When people walk around 2 meters close, it will turn on bright light and delay 30s.

5.How's the light saving energy?

- 1).It only can turn on light in dark at night controlled by night sensor, Ray<10Lux.
- 2).Bright light only turn on when people come near, if no people walk over, it will turn on Dim light to save power.

Working process instructions

Use the supplied key pin to click the "on/off" socket to unlock the battery

Then screw on the wall or pole by the supplied screws

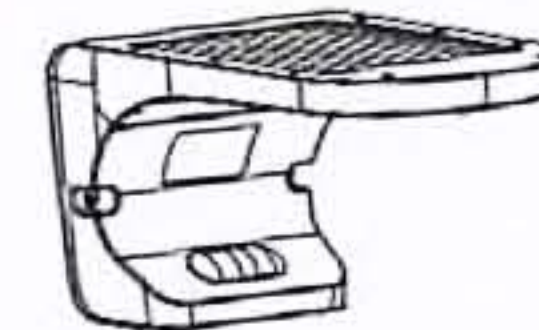


Step1:Light switch off for sun charging in daytime.

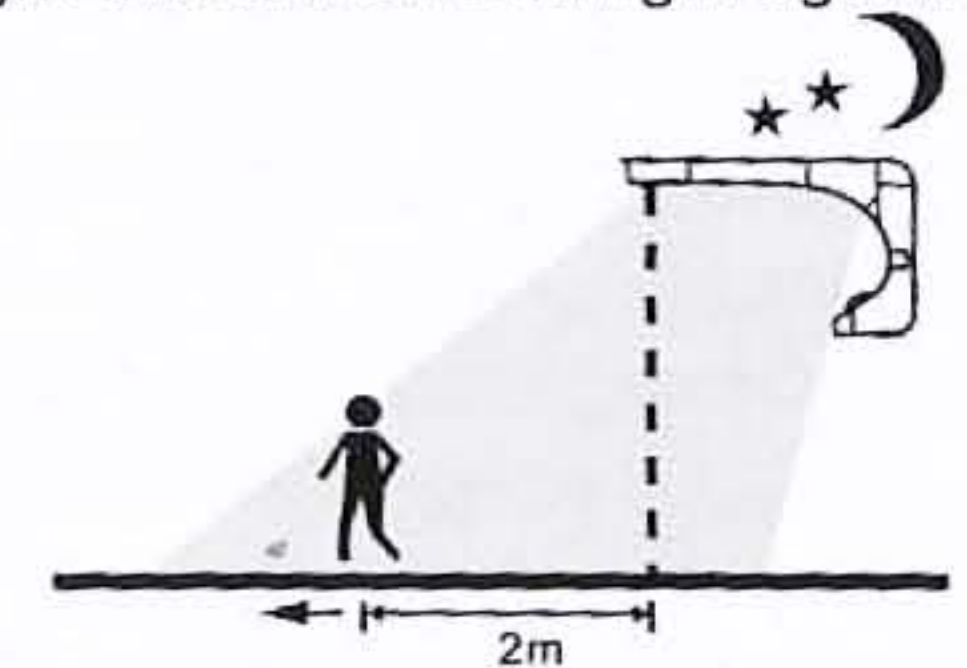


②

Step2: It auto turn on Dim light in dark/ at night

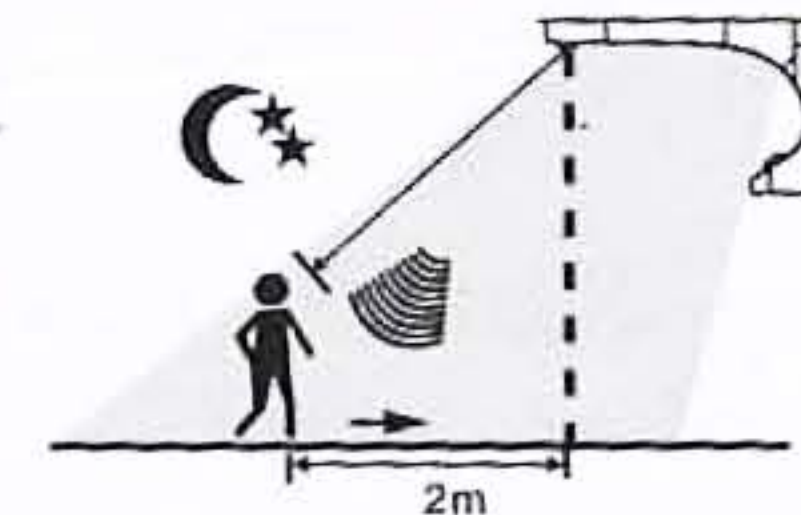


Step4: When people leaving 2M away, the light will turn on Dim light again.

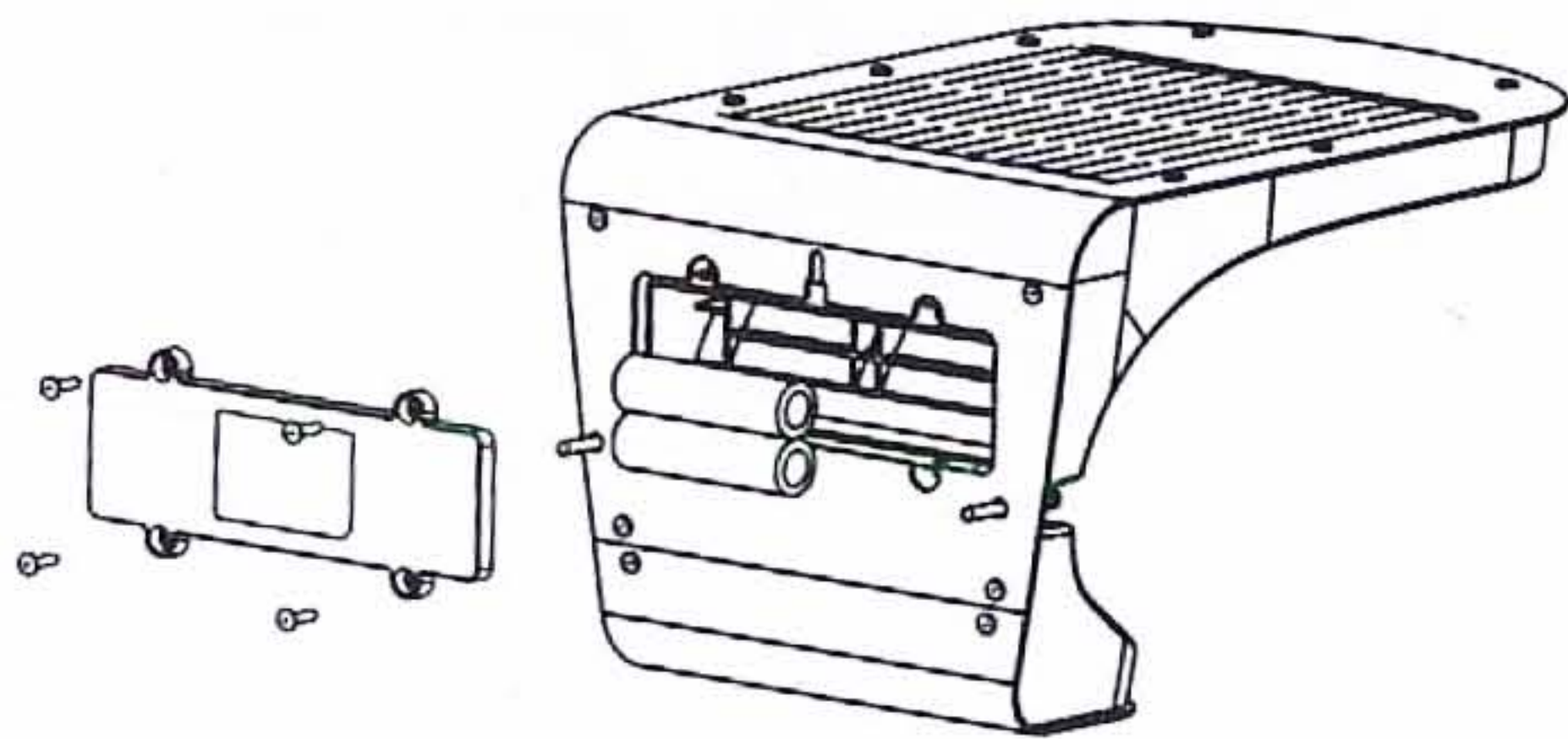


Step3: When people walk 2M near, the light will turn on bright light and delay 30S

③



Replace the inside battery work as the picture when the battery span life is in the end.



Warning :

- 1.Keep the device away from fire and oil in order to avoid any fire or explosion.
- 2.Any severe shock or smash to the light is not recommended ;
- 3.No one except professional technicians should attempt to disassemble the light in order to avoid damaging the light.

Special Note:

- 1).Please notice to unlock the battery and working system by supplied Key Pin before install.
- 2).Please give bright sunlight charging over 5 hours before first time use, as the battery is very low from factory.
- 3).If there is no good sunlight in 3 months, the battery may be out of power so you have to charge it by bright sunlight ,when it's fully charged, pleased use Supplied Key Pin to unlock the device and lighting system, otherwise, it can't work anymore.
- 4).If there is no good sunlight or in winter sunlight, especial in North countries, it may take longer time to fully charge the device and this is very normal for solar products.
- 5).It needs different sun charging time for different install orientation, the best install orientation is facing south, because south can get very good sunlight.

Package include:

- 1.Key pin:1pc
- 2.Screw:3pcs
- 3.Expansion pillar-hinge:3pcs